

# BM-B Lubricator

## Electric, Grease

### General

The BM-B Lubricator is ideally suited to be the heart of a lubrication system where electricity is available to power the lubricator. These pumps are robust for harsh and severe applications and their compact construction of high-grade steel gives them a long service life.

### Application

The BM-B pump, because of its constructional characteristics, may be used in single line, dual line, progressive and spray lubricating systems.

Regardless of the number of lubrication points, the pump can be effectively adapted to meet any requirements. It can also be used for refilling and mobile greasing systems.

### Operation

Normally, the pump is supplied as a complete electric motor-driven package. The BM-B is a valveless positive displacement pump consisting of a series of pistons actuated in a controlled sequence by an eccentric cam and an integral lubricant reservoir. The motion develops a controlled suction and discharge action, producing a rugged, trouble-free lubricator.

A pressure relief valve is incorporated into the BM-B pump. This device can be adjusted to control operating pressure to the centralized lubricating system. Various electric geared motors are available (See *How to Order* chart specifying motor sizes and characteristics to output capacities).

### Features

- + High reliability due to forced control
- + Pump can be supplied complete with a geared motor
- + Long service life thanks to the use of wear-resistant high-grade steel
- + Compact and rugged design
- + Surface signal grey RAL 7004

### Technical Data

Maximum Working Pressure	5800 psi (400 bar)
Discharge	2 & 4 liter/h, dependant upon driving speed
Maximum Outputs, Nominal (ref. motor sizes)	63 rpm    2.44 cu. in./min. (40cc/min.)
	125 rpm    4.88 cu. in./min (80cc/min.)
Reservoir Capacity	8 liter (16.5 lb), 15 liter (31.5 lb) and 30 liter (63 lb)
Grease	Up to NLGI grade 2
Other Greases and Oils (includes synthetic types)	Consult Bijur Delimon
Temperature Range (ambient)	-5°F to 176°F (-20°C to 80°C)
Pressure Relief Value (Built-in)	0 to 5800 psi (0 to 40 bar)



#### ATTENTION

When using a hydraulic changeover valve, do not exceed the maximum operating pressure rating of valve.

#### ATTENTION

The BM-B pump should always be mounted in a vertical position. Check motor connections so that rotation of the pump shaft is counter-clockwise (motor fan runs in a counter-clockwise direction).

#### BIJUR DELIMON INTERNATIONAL

(919) 465 4448 LOCAL  
(800) 631 0168 TOLL-FREE  
(919) 465 0516 FAX

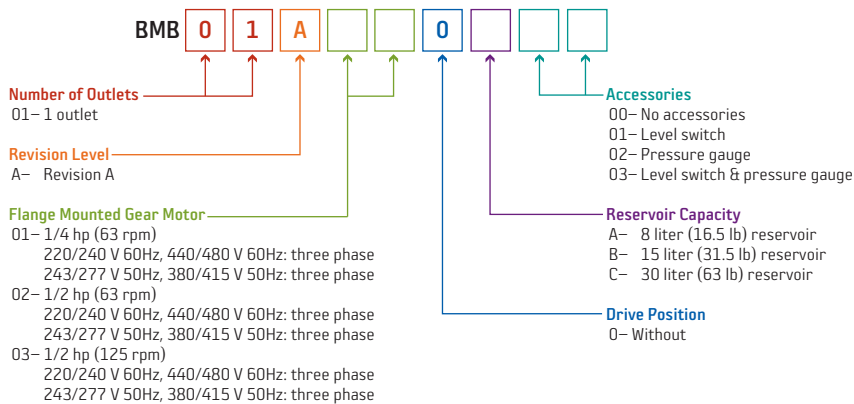
[WWW.BIJURDELIMON.COM](http://WWW.BIJURDELIMON.COM)

2100 Gateway Centre Blvd., Suite 109  
Morrisville, NC 27560

## Maintenance

Ensure that only clean lubricant is used in pump and reservoir. When replenishing grease, always fill reservoir through the refill connection coupling provided on the unit. This action minimizes introduction of air pockets into lubricator and distribution system.

## How to Order



The BM-B Lubricator features a smart part number ordering system, where you can tailor the pump to meet your needs. First, choose the number of outlets, revision level, flange mounted gear motor, drive position, reservoir capacity and accessories you need. Then, put the numbers into the corresponding squares in the easy-to-use grid. You now have the customized part number.

Example: To order a 1 outlet, revision A, 1/4 hp (63 rpm) flange mounted gear motor, without drive position, 8 liter reservoir, with level switch, you would use Part #01A010A01.

### ATTENTION

A level switch is available for the indication of the filling level in the reservoir, using a proximity sensor. As soon as the minimum or maximum level allowed has been obtained, a signal is released. With the help of a signal lamp at the reservoir, this signal can be used for the visual warning or for the control of an automatic filling facility.

In case of receiving the order, we will attach particular operating instructions to the level switch with the following code: BA\_2005\_1\_GB\_76951\_6011.

### BIJUR DELIMON INTERNATIONAL

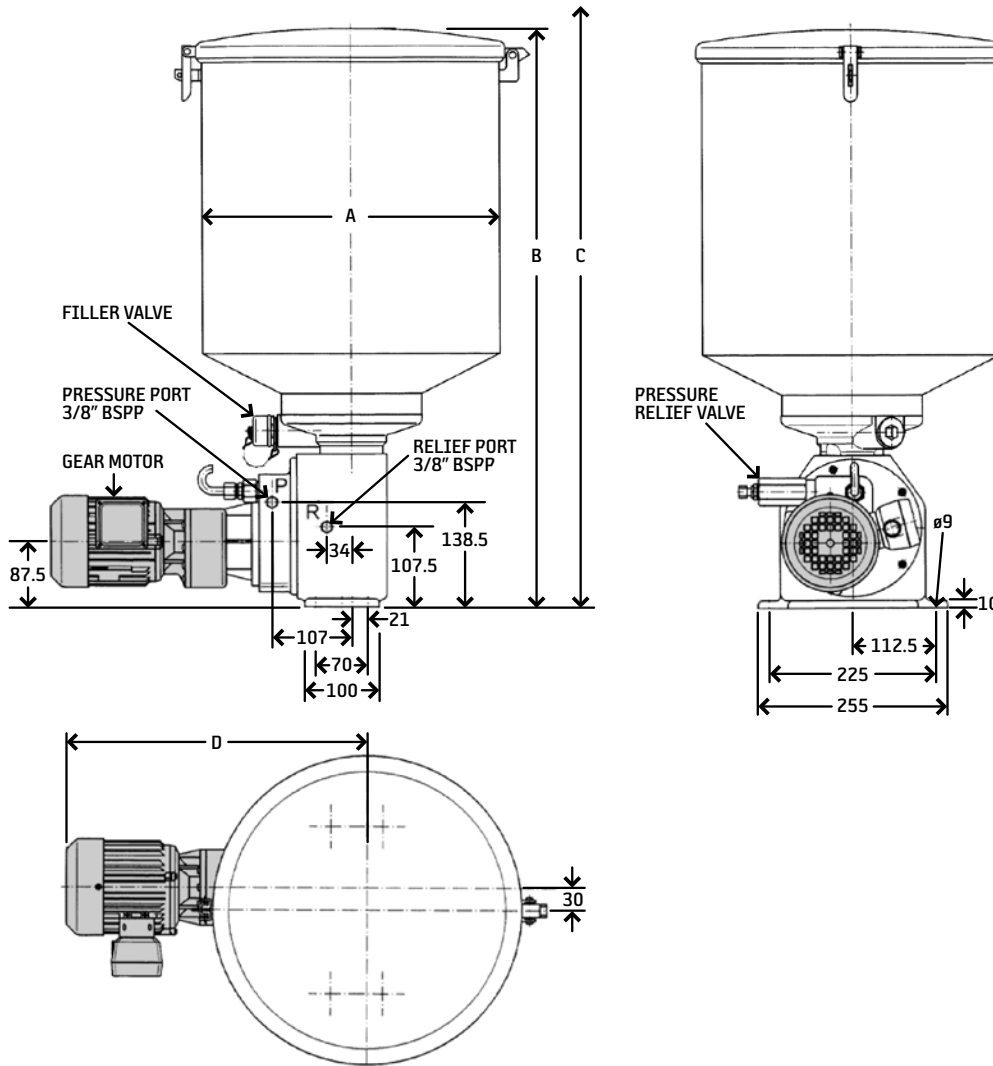
(919) 465 4448 LOCAL  
 (800) 631 0168 TOLL-FREE  
 (919) 465 0516 FAX

[WWW.BIJURDELIMON.COM](http://WWW.BIJURDELIMON.COM)

2100 Gateway Centre Blvd., Suite 109  
 Morrisville, NC 27560

## Dimensional Schematics

Measurements shown in millimeters.



		Dimensions (mm)			
	Design	A	B	C*	D
Reservoir Capacity	16.5 lb. (8 liter)	Φ 190	595	785	---
	31.5 lb. (15 liter)	Φ 240	630	870	---
	63 lb. (30 liter)	Φ 310	700	1010	---
Motor power rating	1/2 hp for 63 rpm	---	---	---	406
	1/2 hp for 63 rpm	---	---	---	432
	1/2 hp for 125 rpm	---	---	---	424

\* Dimension when lid is open

**BIJUR DELIMON INTERNATIONAL**

(919) 465 4448 LOCAL  
(800) 631 0168 TOLL-FREE  
(919) 465 0516 FAX

[WWW.BIJURDELIMON.COM](http://WWW.BIJURDELIMON.COM)

2100 Gateway Centre Blvd., Suite 109  
Morrisville, NC 27560